

ADDENDUM TO CITY OF BUCKEYE WATER ENGINEERING DESIGN STANDARDS

Request No. 1	APPROVED: <input checked="" type="radio"/> / N	ADDENDUM NUMBER W14
----------------------	---	----------------------------

This addendum is based on the City of Buckeye Water Engineering Design Standards adopted by City Council in Resolution No. 55-20.

The requirements of the Water Engineering Design Standards section may be modified at any time by the City Engineer pursuant to Chapter 23, Article 23-2 of the City Code and Resolution 55-20 as adopted by City Council.

The standards, design criteria, and policy set forth in this section were developed and recommended by the City Engineer. The following changes will be in full effect after the signature date, and supersedes the originally approved standards and details as formerly written.

Revised Standard Number: COB Std Dtl 31331-1 & COB Std Dtl 31331-2

Original text/Detail:

- COB Std Dtl 31331-1 – “Water Meter Box No. 2”
- COB Std Dtl 31331-2 – “Water Meter Box Cover No. 2”
- COB Std Dtl 31332 – There is no original detail

New Text/Detail:

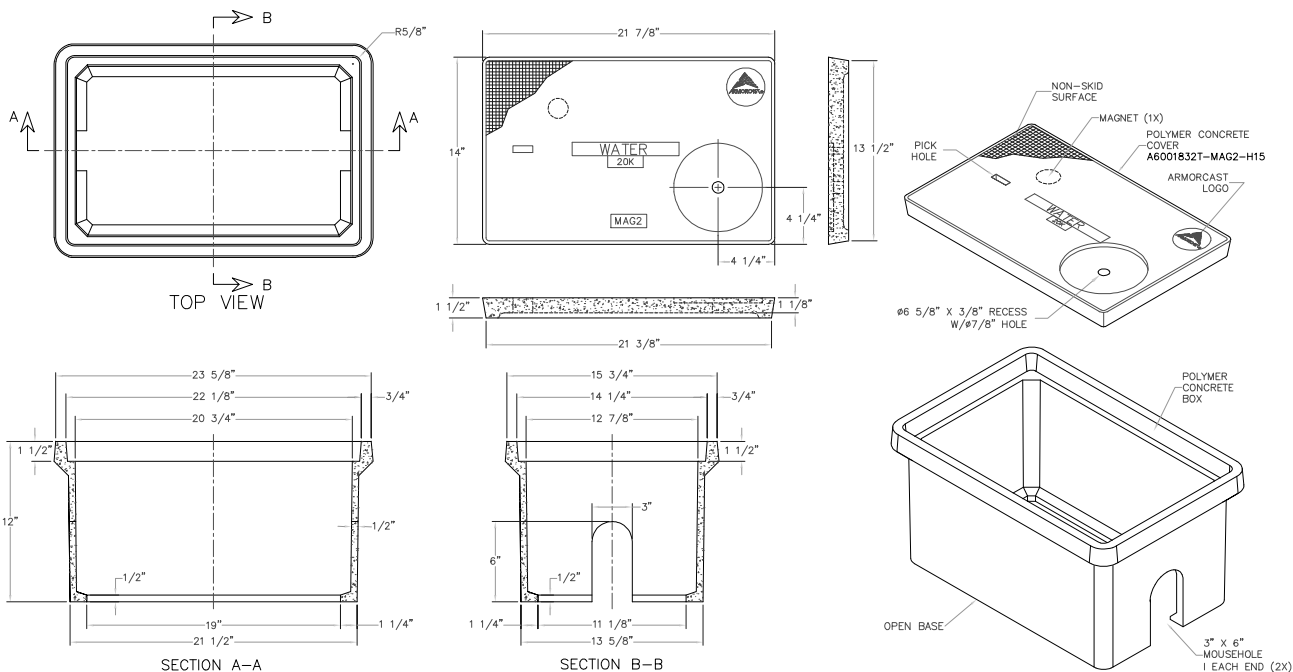
- COB Std Dtl 31331 – “Water Meter Box 3/4” & 1” Meters” – See Attached Detail
- COB Std Dtl 31332 – “Water Meter Box 1-1/2” & 2” Meters” – See Attached Detail

Authored By: Josh Ford

Approved By: _____ **9/6/2024**
City Engineer Date

A6001835TAPCX12-MAG2-H15
 ARMORCAST ASSEMBLY PART #'S QTY.
 BOX: A6001835PCX12-MAG2 1
 COVER: A6001832T-MAG2-H15 1

APPROX. BOX WT. = 38 LBS.
 APPROX. COVER WT. = 27 LBS.



GENERAL NOTES:

1. THIS BOX SHALL BE UTILIZED IN LANDSCAPED AREAS ONLY. APPLICATION IN TRAFFIC AREAS IS NOT AUTHORIZED.
2. EACH METER BOX SHALL BE PLACED ON A MINIMUM OF TWO INCHES OF COMPACTED A.B.C.
3. METER BOXES SHALL BE POLYMER CONCRETE TYPE MANUFACTURED BY ARMORCAST PRODUCTS COMPANY OR APPROVED EQUAL.

MAG2 ASSEMBLY

3/4" & 1" METERS

<p>9140 Lurline Avenue, Chastworth, CA 91311 (818) 982-5800</p> <p>ARMORCAST PRODUCTS COMPANY</p> <p><small>THE INFORMATION IN THIS DRAWING IS CONFIDENTIAL. THE DRAWING IS NOT TO BE REPRODUCED OR ITS CONTENTS DISCLOSED IN ANY MANNER UNLESS SO EXCEPT WITH THE PRIOR WRITTEN APPROVAL OF ARMORCAST PRODUCTS COMPANY. IT IS THE PROPERTY OF AND MUST BE RETURNED TO ARMORCAST PRODUCTS COMPANY, 9140 LURLINE AVENUE, CHASTWORTH, CALIFORNIA 91311.</small></p>	PART DESCRIPTION 14" X 21" X 12" POLYMER CONCRETE WATER METER BOX ASSEMBLY		MAX. LOAD 20K	
	CUSTOMER CITY OF BUCKEYE		DRAWING NUMBER A	
	DATE 3/24	SCALE NONE	DRAWING NUMBER A	
	APPROVED WS 3/24	MATERIAL POLYMER CONCRETE	DRAWING NUMBER A6001835TAPCX12-MAG2-H15	



WATER METER BOX

3/4" & 1" METERS

REVISED:
09-06-24

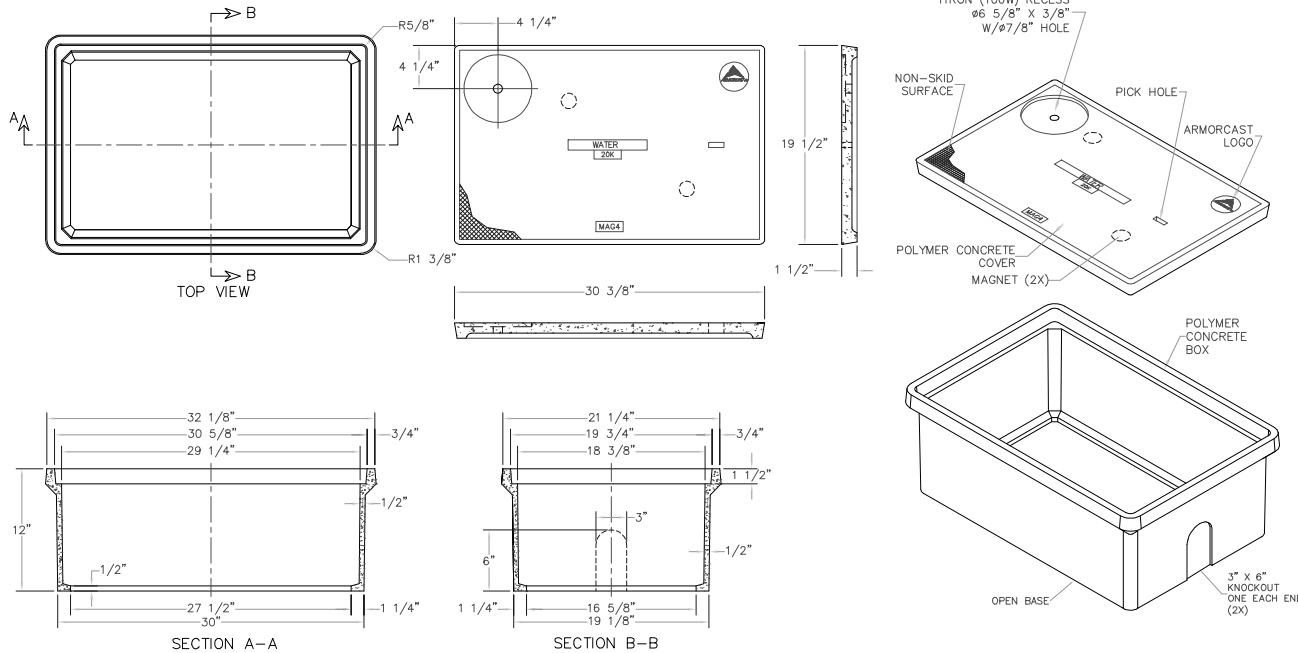
DETAIL NO:
31331

APPROX. BOX WT. = 55 LBS.
 APPROX. COVER WT. = 48 LBS.

ASSEMBLY PART NO. A6001854TAPCX12-MAG4-H15
 BOX PART NO. A6001854PCX12-MAG4
 COVER PART NO. A6001852T-MAG4-H15


GENERAL NOTES:

1. THIS BOX SHALL BE UTILIZED IN LANDSCAPED AREAS ONLY. APPLICATION IN TRAFFIC AREAS IS NOT AUTHORIZED.
2. EACH METER BOX SHALL BE PLACED ON A MINIMUM OF TWO INCHES OF COMPACTED A.B.C.
3. METER BOXES SHALL BE POLYMER CONCRETE TYPE MANUFACTURED BY ARMORCAST PRODUCTS COMPANY OR APPROVED EQUAL.



MAG4 ASSEMBLY

FOR 1 1/2" & 2" METERS

 9140 Lurline Avenue, Chastworth, CA 91311 (818) 982-5800 ARMORCAST PRODUCTS COMPANY	PART DESCRIPTION		MAX. LOAD	
	19" X 30" X 12" POLYMER CONCRETE WATER METER BOX ASSEMBLY		20K	
	CUSTOMER		DRAWING NUMBER	
	CITY OF BUCKEYE		A6001854TAPCX12-MAG4-H15	
DRW	DATE	SCALE		
OA	3/24	NONE		
APPR.	WS	3/24	MATERIAL	POLYMER CONCRETE

FILE NO. A6-1854TAPCX12-MAG4-H15-BUCKEYE



WATER METER BOX 1-1/2" & 2" METERS

REVISED:
 09-06-24

DETAIL NO:
 31332